

## COLONNA GUIDA A UN DIAMETRO

**Materiale:** acciaio 1.7131

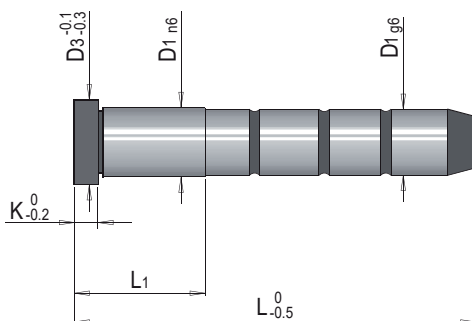
**Material:** steel 1.7131

**Werkstoff:** stahl 1.7131

**Durezza:** Hrc 60+62

**Hardness:**

**Härte:**



| D1  | L   | L1 | D3 | K |
|-----|-----|----|----|---|
| 12  | 50  | 13 |    |   |
|     | 60  | 13 |    |   |
|     | 70  | 13 |    |   |
|     | 80  | 20 |    |   |
|     | 90  | 20 | 16 | 5 |
|     | 100 | 25 |    |   |
|     | 120 | 25 |    |   |
|     | 140 | 25 |    |   |
| 160 | 25  |    |    |   |
| 14  | 50  | 13 |    |   |
|     | 60  | 13 |    |   |
|     | 70  | 13 |    |   |
|     | 80  | 20 |    |   |
|     | 90  | 20 |    |   |
|     | 100 | 25 |    |   |
|     | 110 | 25 | 18 | 5 |
|     | 120 | 25 |    |   |
|     | 130 | 25 |    |   |
|     | 140 | 25 |    |   |
| 150 | 25  |    |    |   |
| 160 | 25  |    |    |   |
| 180 | 30  |    |    |   |
| 16  | 50  | 13 |    |   |
|     | 60  | 13 |    |   |
|     | 70  | 13 |    |   |
|     | 80  | 20 |    |   |
|     | 90  | 20 |    |   |
|     | 100 | 25 |    |   |
|     | 110 | 25 |    |   |
|     | 120 | 25 | 20 | 5 |
|     | 130 | 25 |    |   |
|     | 140 | 25 |    |   |
|     | 150 | 25 |    |   |
|     | 160 | 25 |    |   |
|     | 180 | 30 |    |   |
|     | 200 | 30 |    |   |
| 220 | 30  |    |    |   |

| D1  | L   | L1 | D3 | K |
|-----|-----|----|----|---|
| 18  | 50  | 13 |    |   |
|     | 60  | 13 |    |   |
|     | 70  | 13 |    |   |
|     | 80  | 20 |    |   |
|     | 90  | 20 |    |   |
|     | 100 | 25 |    |   |
|     | 110 | 25 |    |   |
|     | 120 | 25 | 22 | 5 |
|     | 130 | 25 |    |   |
|     | 140 | 25 |    |   |
|     | 150 | 25 |    |   |
|     | 160 | 25 |    |   |
| 180 | 30  |    |    |   |
| 200 | 30  |    |    |   |
| 220 | 30  |    |    |   |
| 20  | 60  | 14 |    |   |
|     | 70  | 14 |    |   |
|     | 80  | 21 |    |   |
|     | 90  | 21 |    |   |
|     | 100 | 26 |    |   |
|     | 110 | 26 |    |   |
|     | 120 | 26 |    |   |
|     | 130 | 26 |    |   |
|     | 140 | 26 | 24 | 6 |
|     | 150 | 26 |    |   |
| 160 | 26  |    |    |   |
| 180 | 31  |    |    |   |
| 200 | 31  |    |    |   |
| 220 | 31  |    |    |   |
| 240 | 41  |    |    |   |
| 260 | 41  |    |    |   |
| 280 | 41  |    |    |   |
| 300 | 51  |    |    |   |

| D1  | L   | L1  | D3 | K |
|-----|-----|-----|----|---|
| 22  | 90  | 23  |    |   |
|     | 100 | 25  |    |   |
|     | 120 | 27  |    |   |
|     | 140 | 30  |    |   |
|     | 160 | 30  | 26 | 6 |
|     | 200 | 50  |    |   |
|     | 80  | 22  |    |   |
|     | 90  | 22  |    |   |
| 25  | 100 | 27  |    |   |
|     | 120 | 27  |    |   |
|     | 140 | 27  |    |   |
|     | 160 | 27  |    |   |
|     | 180 | 32  |    |   |
|     | 200 | 32  | 30 | 7 |
|     | 220 | 32  |    |   |
|     | 240 | 42  |    |   |
|     | 260 | 42  |    |   |
|     | 280 | 42  |    |   |
|     | 300 | 52  |    |   |
|     | 350 | 62  |    |   |
| 400 | 62  |     |    |   |
| 32  | 120 | 27  |    |   |
|     | 140 | 27  |    |   |
|     | 160 | 27  |    |   |
|     | 180 | 32  |    |   |
|     | 200 | 32  |    |   |
|     | 220 | 32  |    |   |
|     | 240 | 42  |    |   |
|     | 260 | 42  | 37 | 7 |
|     | 280 | 42  |    |   |
|     | 300 | 52  |    |   |
|     | 350 | 62  |    |   |
|     | 400 | 62  |    |   |
|     | 450 | 72  |    |   |
|     | 500 | 100 |    |   |

| D1  | L   | L1  | D3 | K  |
|-----|-----|-----|----|----|
| 40  | 120 | 28  |    |    |
|     | 140 | 28  |    |    |
|     | 160 | 28  |    |    |
|     | 180 | 33  |    |    |
|     | 200 | 33  |    |    |
|     | 220 | 33  |    |    |
|     | 240 | 43  |    |    |
|     | 260 | 43  | 45 | 8  |
|     | 280 | 43  |    |    |
|     | 300 | 53  |    |    |
| 50  | 350 | 63  |    |    |
|     | 400 | 63  |    |    |
|     | 450 | 73  |    |    |
|     | 500 | 73  |    |    |
|     | 600 | 120 |    |    |
|     | 240 | 45  |    |    |
|     | 260 | 45  |    |    |
|     | 280 | 45  |    |    |
|     | 300 | 55  |    |    |
|     | 350 | 65  |    |    |
|     | 400 | 65  | 55 | 10 |
|     | 450 | 75  |    |    |
|     | 500 | 75  |    |    |
|     | 600 | 85  |    |    |
| 800 | 140 |     |    |    |
| 60  | 350 | 67  |    |    |
|     | 400 | 67  |    |    |
|     | 450 | 77  |    |    |
|     | 500 | 77  | 68 | 12 |
|     | 600 | 87  |    |    |
|     | 800 | 87  |    |    |

**Esempio d'ordine:** EC2 = D1 x L

**Order example:**

**Bestellbeispiel:**