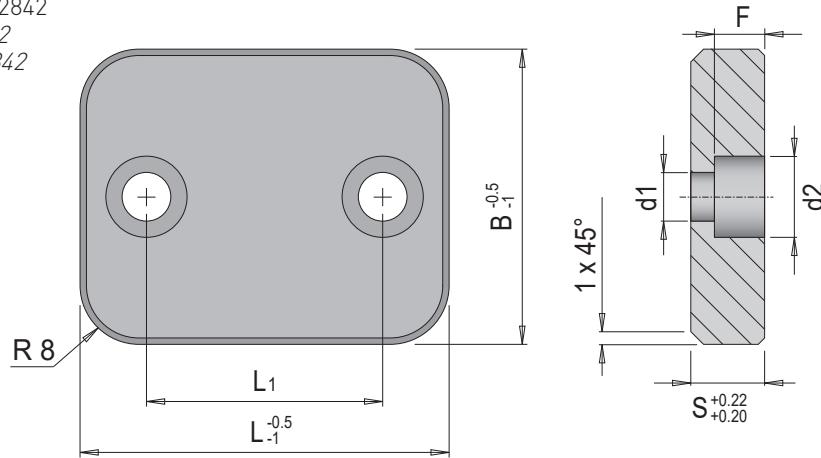


Shim, rectangular
Abstimmplatte rechteckig

PIASTRINE DI AGGIUSTAGGIO RETTANGOLARE

Materiale: acciaio 1.2842
Material: steel 1.2842
Werkstoff: stahl 1.2842

Durezza: Hrc 58
Hardness:
Härte:



Codice	B	L	S	L1	d1	d2	F
T556-20x32x8			8				
T556-20x32x10		32	10	16			
T556-20x32x12			12				
T556-20x40x8			8				
T556-20x40x10	20	40	10	24	4,4	8	4,4
T556-20x40x12			12				
T556-20x64x8			8				
T556-20x64x10		64	10	40			
T556-20x64x12			12				
T556-25x32x8			8				
T556-25x32x10		32	10	16			
T556-25x32x12			12				
T556-25x40x8			8				
T556-25x40x10	25	40	10	24	5,5	10	5,5
T556-25x40x12			12				
T556-25x64x8			8				
T556-25x64x10		64	10	40			
T556-25x64x12			12				
T556-32x40x8			8		5,5	10	5,5
T556-32x40x10		40	10	24	6,6	11	6,5
T556-32x40x12			12				
T556-32x64x8			8		5,5	10	5,5
T556-32x64x10	32	64	10	40	6,6	11	6,5
T556-32x64x12			12				
T556-32x100x8			8		5,5	10	5,5
T556-32x100x10		100	10	64	6,6	11	6,5
T556-32x100x12			12				
T556-40x50x8			8		5,5	10	5,5
T556-40x50x10		50	10	32	6,6	11	6,5
T556-40x50x12			12				
T556-40x80x8			8		5,5	10	5,5
T556-40x80x10	40	80	10	52	6,6	11	6,5
T556-40x80x12			12				
T556-40x100x8			8		5,5	10	5,5
T556-40x100x10		100	10	64	6,6	11	6,5
T556-40x100x12			12				

Codice	B	L	S	L1	d1	d2	F
T556-50x64x10			10				
T556-50x64x12		64	12	40			
T556-50x100x10			10				
T556-50x100x12	50	100	12	64	6,6	11	6,5
T556-50x125x10			10				
T556-50x125x12		125	12	80			
T556-64x80x10			10				
T556-64x80x12		80	12	52			
T556-64x100x10			10				
T556-64x100x12	64	100	12	64	6,6	11	6,5
T556-64x125x10			10				
T556-64x125x12		125	12	80			
T556-64x160x10			10				
T556-64x160x12		160	12	100			
T556-80x80x12			12				
T556-80x80x16		80	16	52			
T556-80x100x12			12				
T556-80x100x16	80	100	16	64	6,6	11	6,5
T556-80x120x12			12				
T556-80x120x16		120	16	80			
T556-100x100x12			12				
T556-100x100x16		100	16	64			
T556-100x120x12			12				
T556-100x120x16	100	120	16	80	8,6	15	8,6
T556-100x150x12			12				
T556-100x150x16		150	16	90			
T556-120x120x12			12				
T556-120x120x16		120	16	80			
T556-120x150x12			12		8,6	15	8,6
T556-120x150x16		150	16	90			

Esempio d'ordine: Codice
Order example:
Bestellbeispiel:

ACCESSORI PER STAMPI
Accessories for mould
Zubehör für mould